

High Power L.E.D. System



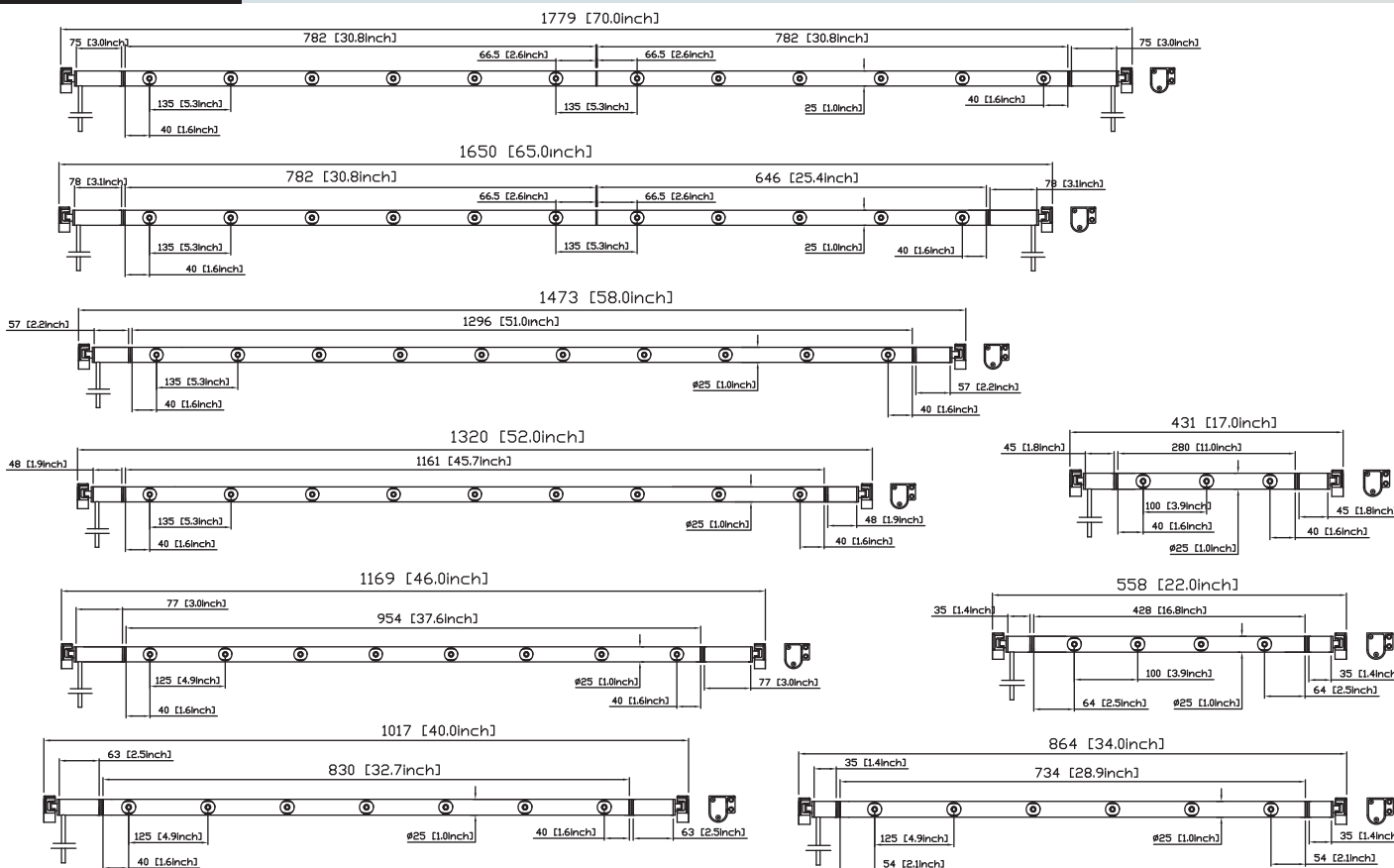
Based on fluorescent format and patent-pending design, the FLX series LED lighting is the latest ^{with rotary design} in showcase lighting for new construction and lighting upgrades. This sleek unobtrusive tube fits inside the showcase to provide white light that will make merchandise sharp. Easy to install mounting brackets can be screwed to the wooden sides of the case, or glued to the bottom of the glass. Mounting brackets allow tube to rotate for optimum positioning of light. With the low profile driver/transformer, it can be hidden underneath showcases. This versatile light can be used anywhere. There is a need to incorporate lighting with high CRI and true color temperature.

FLX, Gen. 1.1

Specifications

- Lamp base: Pig tail lead
- Diameter: ϕ 1"
- Construction: Aluminum body / Heat Sink
- Reflector: vacuum
- LED source: Cree Inc.
- LED rated wattage: 3 watts
- LED operating wattage: 2.4 watts
- LED amperage: 3 watts @ 700mA
- LED operating voltage: 3.5V
- LED illuminance: 1440 lm
- LED light angle: wide angle
- Color temperature: 5300k~6000k
- Lumen maintainance: 70% at 50,000 hours
- Linear lamp operating temp.: 30 °C
- Listing: driver UL approved

Dimensions



Specification

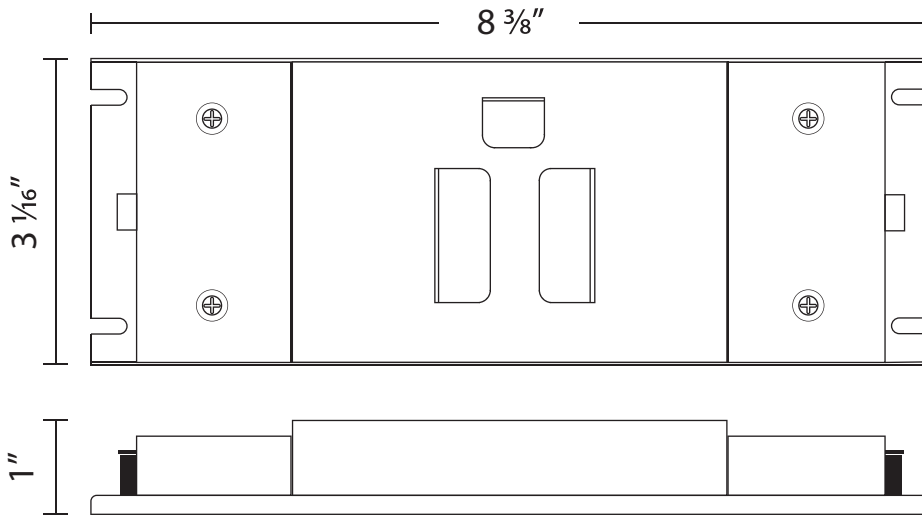
Order Format

Lengths	17"	22"	34"	40"	46"	52"	58"	65"	70"
Wattage	9	12	18	21	24	27	30	33	36
Diodes	3	4	6	7	8	9	10	11	12





FLX/Series

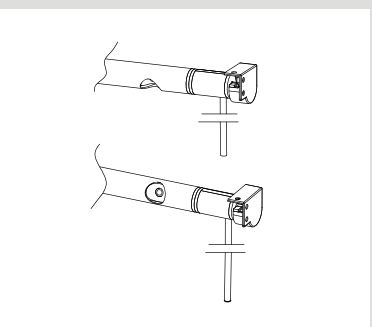
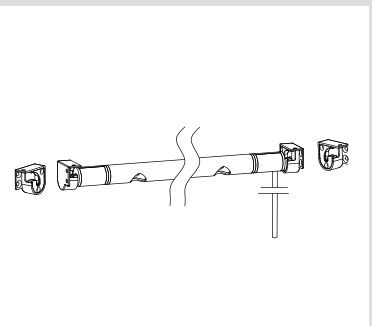


LED Driver
 I/P: 100-240v AC
 410mA ±%o HZ
 O/P: DC36v 700mA
 Power: 24Wv

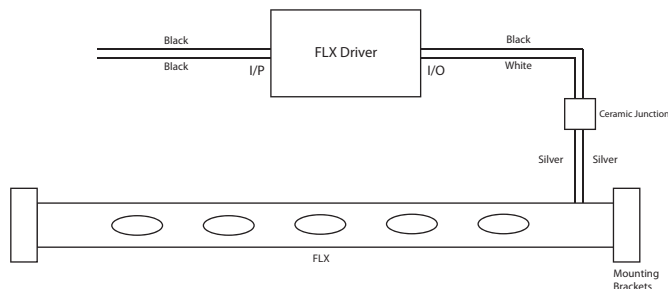
Specifications

- ▲ Input voltage: 100-240V AC
- ▲ Output voltage: 36V DC
- ▲ Output current: 700 mA
- ▲ Maximum open circuit voltage: 30V
- ▲ Maximum power: 24 watts
- ▲ Remote mounting distance: 16'
- ▲ Operating temperature: 38°
- ▲ Power factor: Normal
- ▲ Protection: open circuit and short circuit
- ▲ Construction: PCB case
- ▲ Net weight: 3.2 oz
- ▲ Driver UL approved

Mounting Options



Wiring Diagram



The following is power consumption calculation for one FLX tube with 8 LEDs:
 $3w @ 700mA : (3.5V /diode) \times 0.7A = (2.4w/diode) \times 8 LED diodes = 19.2w$

WARNING:
 Failure to connect FLX driver will result in damage and/or disfunction of LED
 Connection of FLX driver to fluorescent lamp will result in failure of lamp and driver